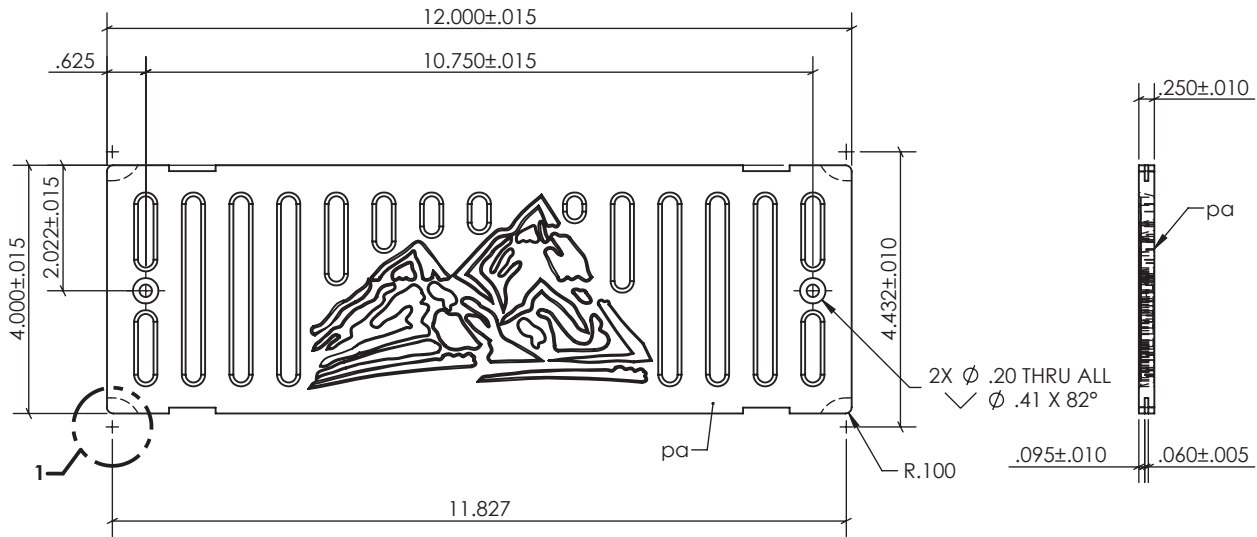
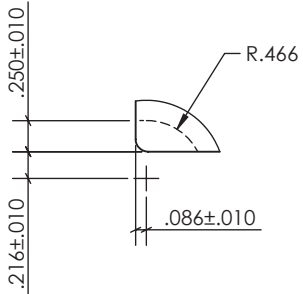


ISOMETRIC VIEW

MARK	PC.DET.	QTY	STEEL SHAPE	DESCRIPTION / 1ST DIMENSION	2ND DIM	LENGTH	REMARKS	WT	SF
SVI-4x12-A		1		VENT INSERT 4x12				0.88	0.78
	pa	1	PL	0.25	4	12		0.88	0.78

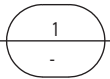


DETAIL: SVI-4x12-A



DETAIL

SCALE:1:1



PROTECTED BY:
All Rights Reserved

**PATENT
LICENSING
COPYRIGHT
TRADEMARK**

NO.	DATE	REVISION	BY
0	9/05/19	ISSUED FOR FABRICATION	db
1	9/6/2019	REVISED MOUNTAINS	db

DESCRIPTION: DETAIL 4x12 VENT INSERT AVALANCHE		
DRAWN BY: Don Benkowski	DATE: 9/05/19	SCALE: 6"=1'-0"
CHECKED BY:	DATE:	JOB NO.:
DWG NO:SVI-4x12-A	SHEET NO.: 1 OF 1	REV.: 1

FABRICATION TOLERANCES: (UNLESS NOTED)

***** ± .0005 ***** ± .0005
***** ± .0005 ***** ± .0005