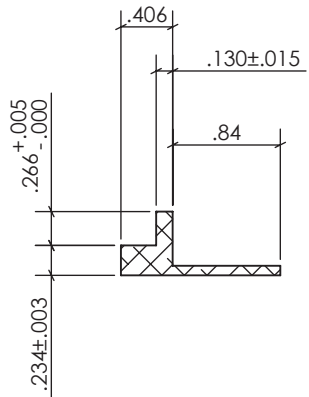
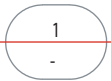


ISOMETRIC VIEW



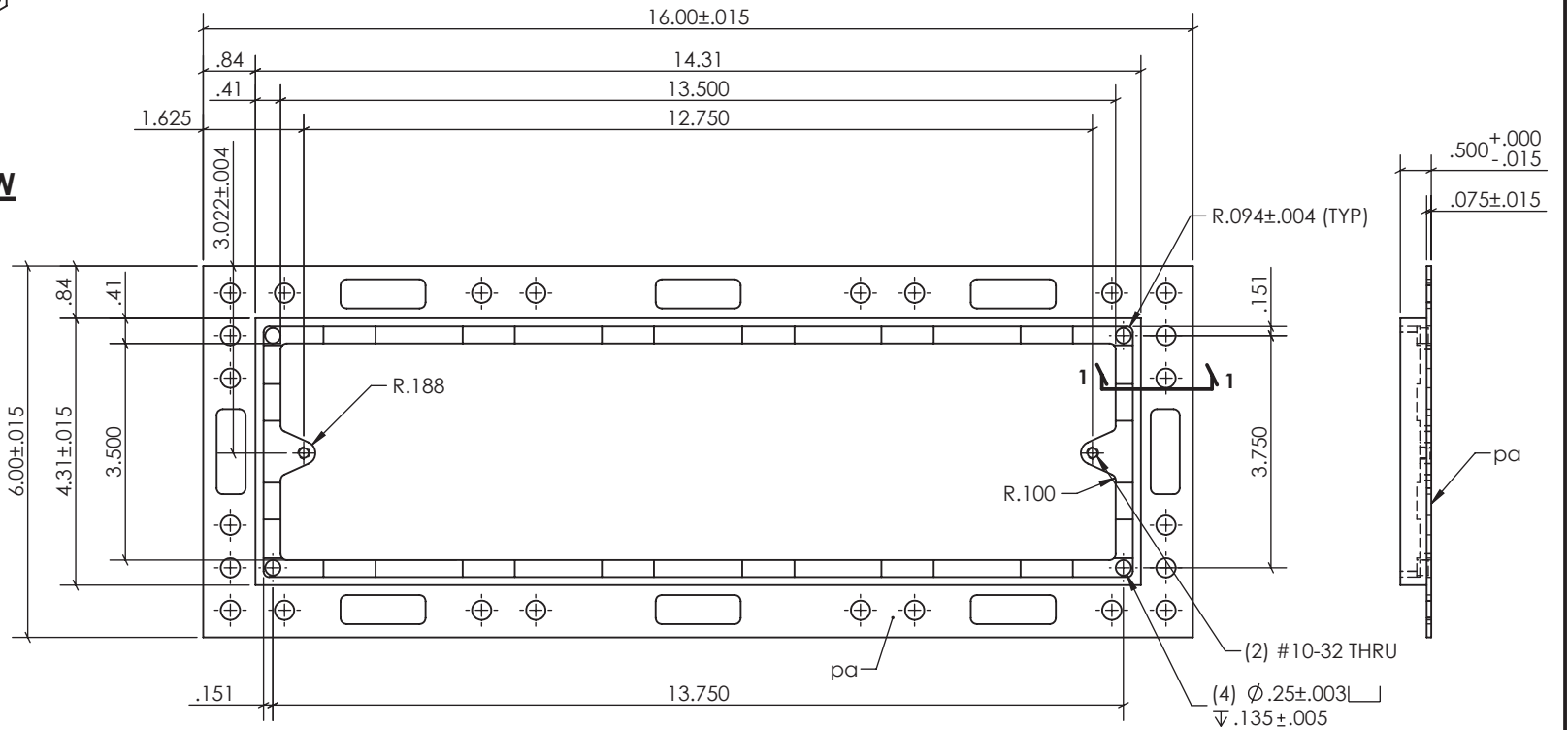
SECTION

SCALE:1:1



(TYPICAL EACH SIDE)

MARK	PC.DET.	QTY	STEEL SHAPE	DESCRIPTION / 1ST DIMENSION	2ND DIM	LENGTH	REMARKS	WT	SF
VB-4x14 R1		1		VENT BRACKET 4x14 R1				0.67	0.88
	pa	1	PL	0.5	6	16		0.67	0.88



DETAIL: VB-4x14 R1

PROTECTED BY:
All Rights Reserved
PATENT LICENSING COPYRIGHT TRADEMARK

NO.	DATE	REVISION	BY
0	07/15/20	ISSUED FOR FABRICATION	db

DESCRIPTION: DETAIL VENT BRACKET 4x14 R1

FABRICATION TOLERANCES: (UNLESS NOTED)

***** ±.0005 *****
***** ±.0003 *****
***** ±.0002 *****
***** ±.0001 *****

DRAWN BY: Don Benkowski	DATE: 07/15/20	SCALE: 6"=1'-0"
CHECKED BY:	DATE:	JOB NO.:
DWG NO.: VB-4x14 REV 1	SHEET NO.: 1 OF 1	REV.: 3