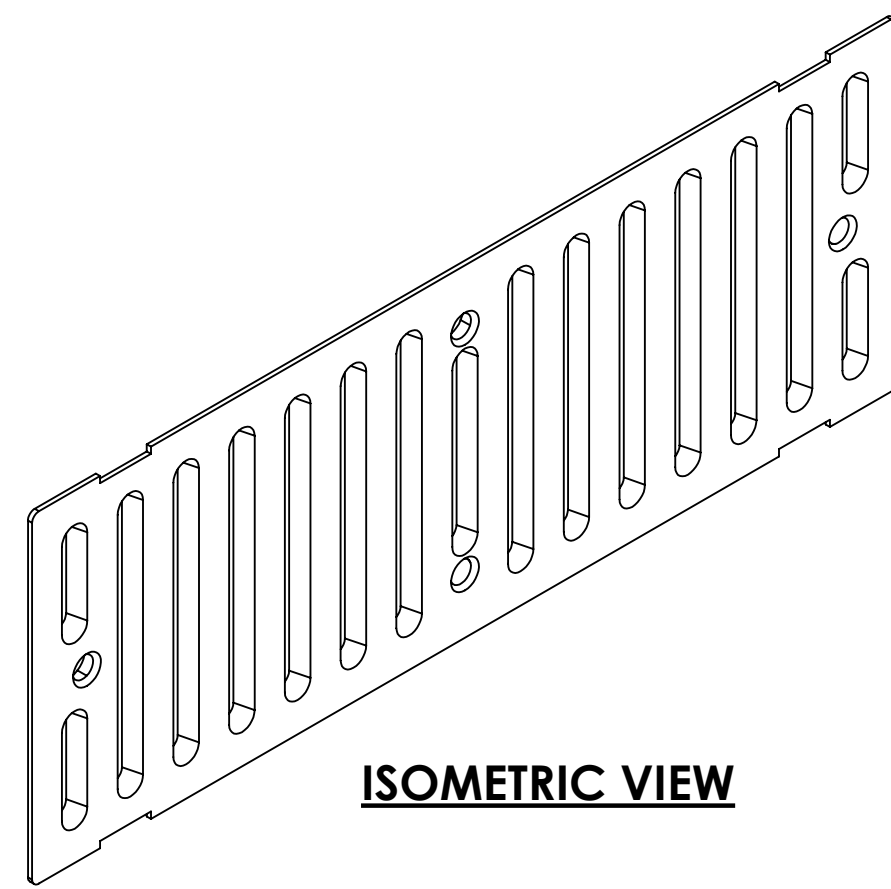
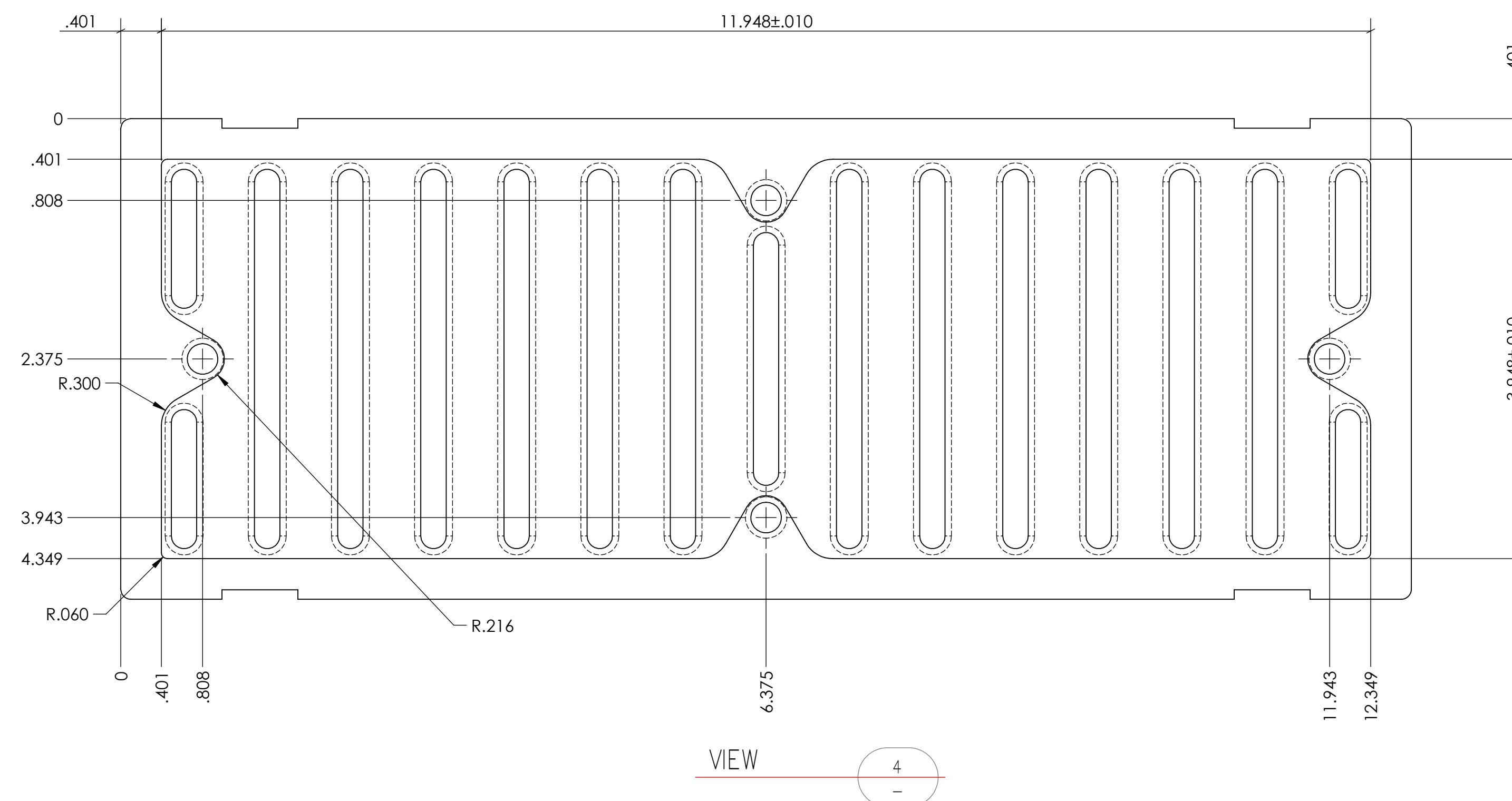
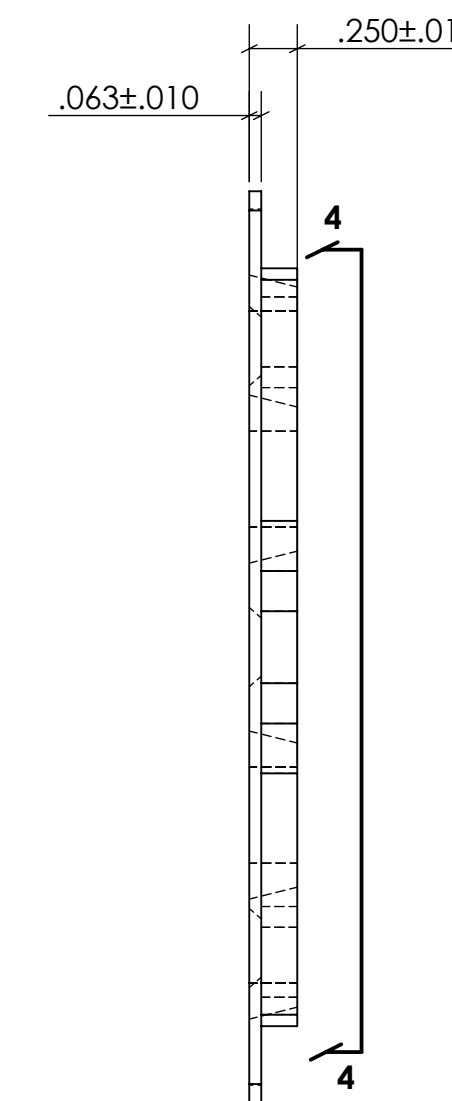
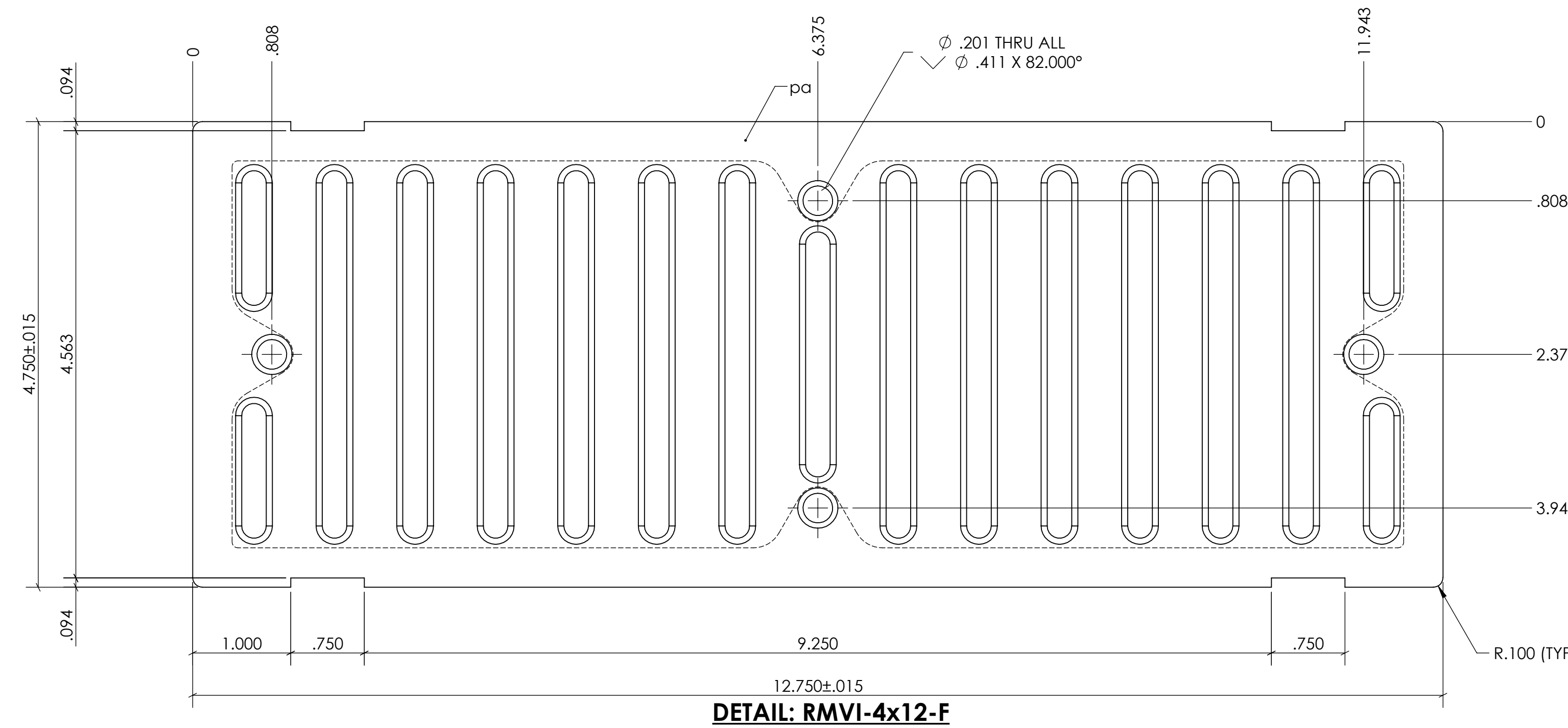


BILL OF MATERIAL				RVI-4x12-F					
MARK	PC.DET.	QTY	STEEL SHAPE	DESCRIPTION / 1ST DIMENSION	2ND DIM	LENGTH	REMARKS	WT	SF
RMVI-4x12-F		1		REMODEL INSERT FOR 4x12 FOREST				0.82	0.00
	pa	1	PL	0.25	4.75	12.75		0.82	0.87



ISOMETRIC VIEW



VIEW 4

PRELIMINARY
8/9/2021

DESIGN TILE & FLOORING		NO. DATE		REVISION		BY
		A	05/18/20	PRELIMINARY NOT FOR FABRICATION		CM
DESCRIPTION: DETAIL VENT INSERT FOR 4x12 FOREST						
DRAWN BY: CHAS MCNEIL		DATE: 05/18/20		SCALE: 1:1		
CHECKED BY:		DATE:		JOB NO.:		
DWG NO.: RVI-4x12-F		SHEET NO.: 1 OF 1		REV: A		

FABRICATION TOLERANCES: (UNLESS NOTED)
 2 PLC DECIMAL ±0.01"
 3 PLC DECIMAL ±0.005"
 FRACTIONS ±1/16"
 ANGULAR ±1/2°