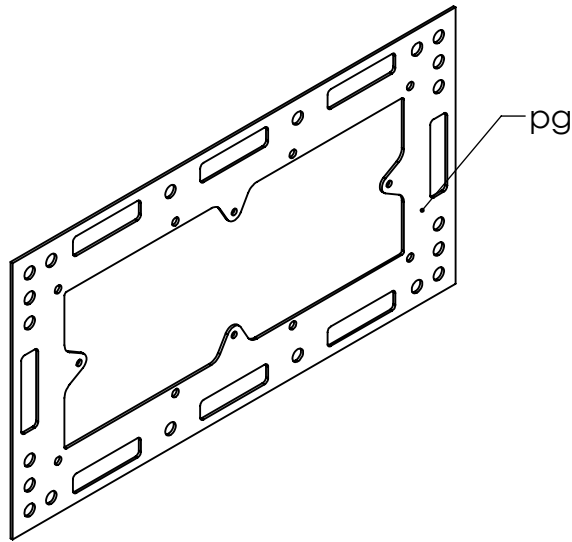


*PIECE DETAIL QTY REFLECTS NUMBER NEEDED FOR ONE FABRICATION / MARK

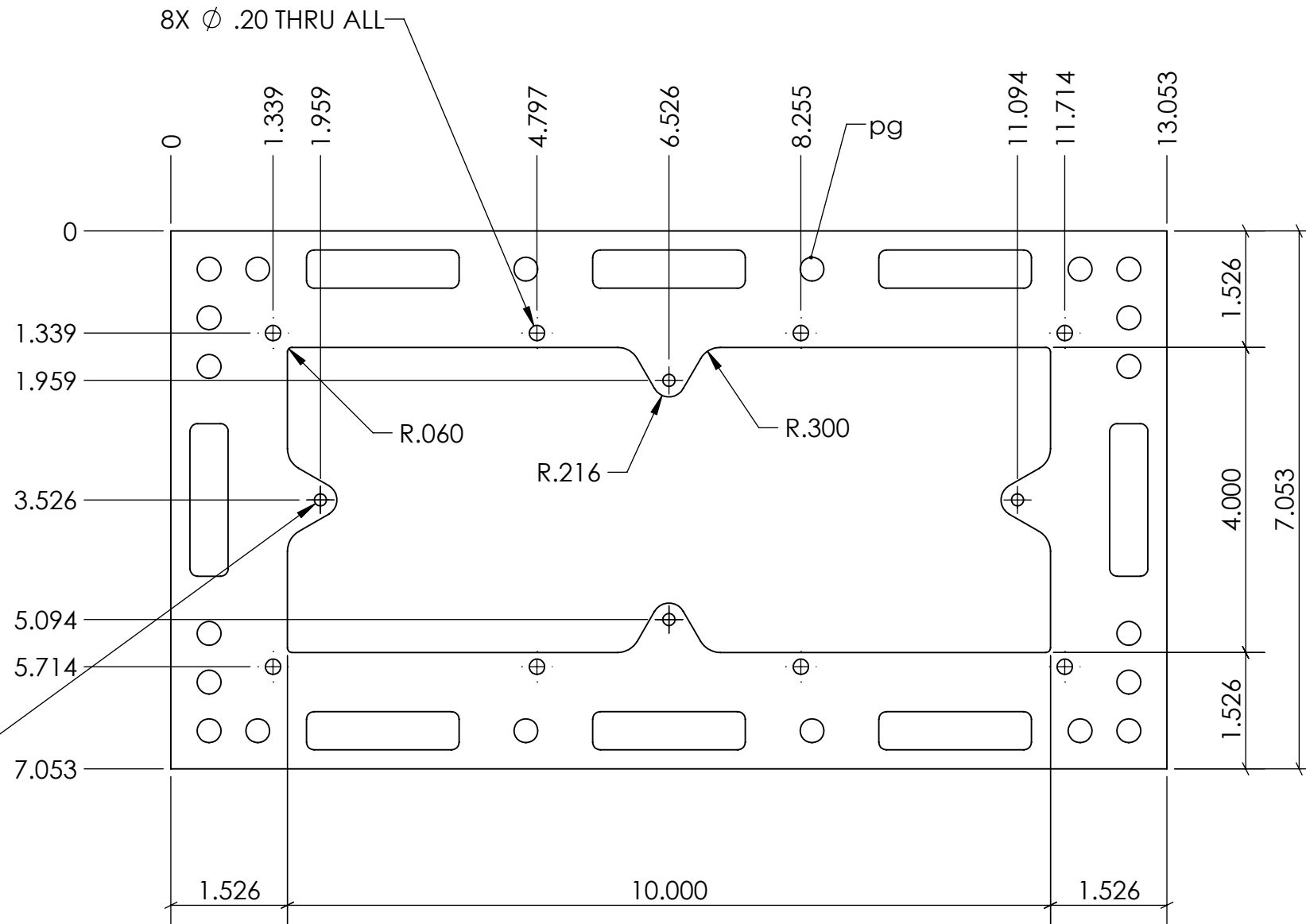
BILL OF MATERIAL

NIB-4x10

MARK	PC.DET.	QTY	STEEL SHAPE	DESCRIPTION / 1ST DIMENSION	2ND DIM	LENGTH	REMARKS	WT	SF
NIB-4x10		1		NEW INSTALL BRACKET FOR 4x10				0.27	0.67
	pg	1	PL	0.063	7.053	13.053		0.27	0.67



ISOMETRIC VIEW



DETAIL: NIB-4x10

DESIGN TILE AND FLOORING	
---------------------------------	--

DESCRIPTION: DETAIL NEW INSTALL BRACKET 4x10		
DRAWN BY: CHAS MCNEIL	DATE: 8/3/2021	SCALE: 6"=1'-0"
CHECKED BY:	DATE:	JOB NO.:
DWG NO.: NIB-4x10	SHEET NO.: 1 OF 1	REV.: C

NO.	DATE	REVISION	BY
A	08/03/21	PRELIMINARY	CM
B	8/24/2021	CHANGED OVERALL DIMENSION	CM
C	9/7/2021	MADE BRACKET A FLAT PLATE	CM

FABRICATION TOLERANCES: (UNLESS NOTED)
 2 PLC DECIMAL ±0.01" FRACTIONS ±1/16"
 3 PLC DECIMAL ±0.005" ANGULAR ±1/2°